

# Airpura

AIR PURIFIERS

# T600

Tobacco Smoke

## **Remove the 4000 Chemicals, Tars and Gases found in Tobacco Smoke**

The Airpura T600 is specially designed to deal with tobacco smoke. It features a special tar barrier pre-filter combined with a deep carbon bed to adsorb the 4000 chemicals and gases found in tobacco smoke

Effective for up to 2000 square feet

Recycles the air every 30 minutes

Tobacco smoke contains over 4000 harmful chemicals and gases including benzene, toluene, formaldehyde and at least 60 carcinogens.

The 26lbs Carbon Bed adsorbs these chemicals

Tar is emitted from smoking cigars and cigarettes and contributes to the transmission of the harmful effects of tobacco smoke. The TarBarrier filter traps these tars in the same way as a cigarette filter and removes them from the air stream

ETS (environmental tobacco smoke) is recognized as a serious health hazard for non-smokers as well as smokers. The Airpura T600 recycles the air in a 2000 sq ft area approximately every 30 minutes

An excellent choice for:

<b>Dedicated smoking areas</b>	<b>Homes</b>
<b>Restaurants</b>	<b>Bars</b>
<b>Public spaces</b>	<b>Waiting rooms</b>

Suspension brackets available



### **The Airpura T600**

Available in  
White Black Sandstone

The Airpura Limited Warranty  
5 years parts 10 years labor

#### **Filter Life**

Carbon filters should be changed at least every 3 months in public areas  
Tar-barriers need to be changed at least every 4 weeks in public areas  
HEPA Barrier filters should be changed at the same time as the carbon filter. For private home use change intervals will usually be less frequent

**Clean your air and reduce the dangers of tobacco smoke**

## Technical Specifications

### Tobacco smoke odor, and chemical control

26 lbs activated carbon  
13" x 13" x 7.5"

### Carbon bed

3" deep x 570 sq" surface

### Tar removal

Special tar-barrier filter  
570 sq in x 1in deep

### Particle suppression

Post particle filter  
306 sq in

### Air Flow 560 cfm

More cfm than any other compact unit available

### Housing

Powder coated steel

### Size

23" x 15"

### Weight

49lbs total

### Voltage Options

115 or 220 volts

### Watts

120 on high 40 on low

### Sound Level

28.1 db on low (at 6 feet)  
62.3 db on high (560 cfm)  
(Room level 25.1 db)

### ETL Certified

Conforms to  
CSA C22.2 no 113  
ANSI / UL 507

Your **Airpura** Dealer

### Air Filter Store

Toll free: 1-888-246-8776  
Tel: 323-851-1878  
Fax: 323-927-1770  
airfilterstore.com  
1135 North Poinsetta Drive  
Los Angeles CA 90046

## Specially designed for tobacco smoke

### Large carbon bed

The Airpura T600 features a 26 lb 3 inch deep activated carbon bed specially designed to adsorb the 4000 harmful and carcinogenic chemicals and gases found in tobacco smoke

### TarBarrier filter

Special filter designed to trap the tars in tobacco smoke

### Powerful motor/fan

560 CFM (rated) can recycle the air in up to 2000 sq ft in approximately 30 minutes to keep refreshing the air and remove harmful smoke and odors

### Wall brackets (Optional)

Wall brackets are available to mount the unit in an elevated position

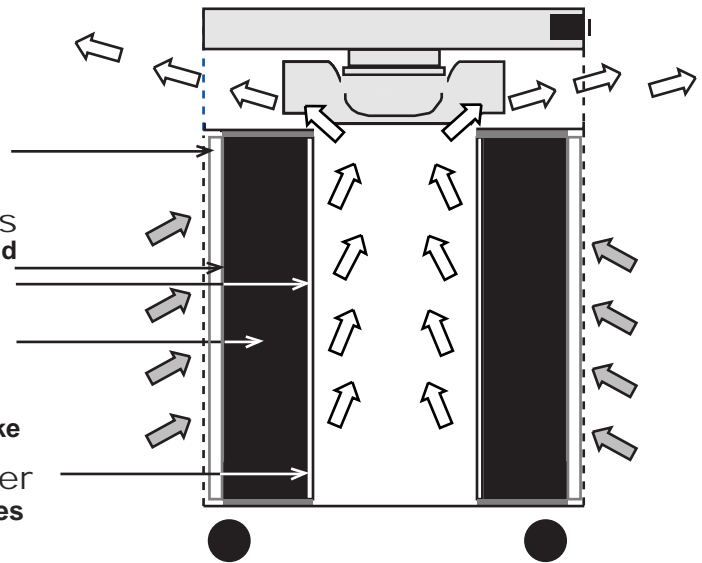
## Filtration System

TarBarrier pre-filter  
Traps tobacco tars. Acts like a cigarette filter

2 Micro-Suppress filters  
Suppress bacteria, antigens and pathogens around carbon bed

26 lb Carbon filter  
3" deep carbon bed ensures effective adsorption of the 400 chemicals in tobacco smoke

HEPA-Barrier post filter  
traps carbon dust and particles



## Unique Features

- **All metal housing** ensures no plastic vapors are emitted
- **Motor out of the air flow.** Most air purifiers blow the clean air over the motor and pick up impurities
- **Electrical parts in a sealed chamber** out of the airflow. Increases safety and prevents off-gassing
- **Pressure sealed filter chamber** prevents leakage of polluted air around filters
- **Felt gaskets** seal the filter chamber. Maximize filtration with no rubber off-gassing found with other filters
- **Clean modern appearance** fits in any decor
- **Low noise level** (right at unit) 29db on low 66db on high (560 cfm)
- **Unimpeded airflow** simple and direct internal airflow avoids the air turbulence, inefficiency and noise associated with more convoluted systems

**Filter out harmful second hand tobacco smoke**