

Airpura

AIR PURIFIERS

H600

Allergies & Asthma

Trap particles that can trigger asthma and allergies with a large scale Hepa filtration unit

The Airpura H600 offers a large true HEPA filter with a HI-C carbon weave filter for basic odor and chemical filtration together with a pre-filter for large particles

Effective for up to 2000 square feet
Cleans the air approximately every 20 minutes

An excellent choice for:

Asthma and allergy sufferers to help remove the particles that trigger attacks.

Healthcare institutions to trap airborne droplets, bacteria, antigens and pathogens.
May be combined with an optional Germicidal UV lamp in the filter chamber

Industries with fiber or particle pollution
Wood shops, fiberglass shops, users of insulation materials or asbestos based products.

Removes:

Pet dander, dust mites, pollen, mold spores, asbestos fibers, droplets

Airpura Warranty
5 year limited warranty on parts,
10 years on labor



The Airpura H600

Available in
White Black Sandstone
The Airpura Limited Warranty
5 years parts 10 years labor

Filter Life

Hepa filters typically last 5 years in regular use.
Pre-filters can be vacuumed from the exterior of the unit and should be changed every 12 months depending on use
HI-C carbon weaves should be changed every 4-6 months depending on use

Protect yourself from the harmful effects of airborne particles

Airpura

AIR PURIFIERS

H600

Allergies & Asthma

Technical Specifications

Particle removal

80 sq ft true HEPA
(Measured 1 side only)
10 pleats per inch
Pleats warm rolled
with separators

Odor and chemical Suppression

306 sq" HI-C carbon weave

Air Flow 560 cfm

More cfm than any
other home unit available

Pre-filter

570 sq in x 1in

Housing

Powder coat steel

Size

23" x 15"

Weight

35lbs total

Voltage Options

115 or 220 volts

Watts

120 on high 40 on low

Sound Level

28.1 db on low (at 6 feet)
62.3 db on high (560 cfm)
(Room level 25.1 db)

ETL Certified

Conforms to
CSA C22.2 no 113
ANSI / UL 507

Unique Features

- Large True HEPA filter. Traps 99.97% of particles as small as 0.3 microns. That's as small as some bacteria.
- Hi-C Carbon Weave filter for basic airborne chemical, gas and odor filtration
- Cleanable pre-filter. Simply vacuum through the mesh or change as necessary
- Pressure seal on the filter chamber ensures all the impurities pass through the filters and deliver a real 99.97% filtration.
- Felt gaskets seal the filter chamber. Maximize filtration with no rubber off-gassing found with other makes
- All metal housing ensures no plastic vapors are emitted
- Variable speed motor lets you choose your ideal level of filtration
- Motor out of the air flow. Most air purifiers blow the clean air over the motor and pick up impurities

Filtration System

Large HEPA filter

Traps 99.97% of particles
as small as 0.3 microns

Cleanable pre-filter

Vacuum through grill and
change every 12 months

Hi-C Carbon weave

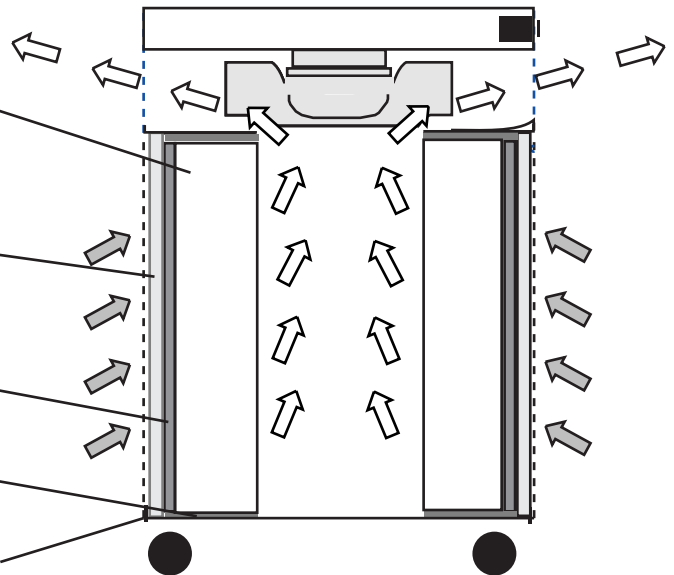
Absorbs airborne chemicals
noxious gases and odors

Felt gaskets

no rubber off gassing

Unique Pressure seals

ensure integrity of filter chamber



Your Airpura Dealer

Air Filter Store

Toll free: 1-888-246-8776
Tel: 323-851-1878
Fax: 323-927-1770
airfilterstore.com

1135 North Poinsetta Drive
Los Angeles CA 90046

Large HEPA filter for maximum particle filtration

- 80 square feet of filtration surface with 2" deep folds
- The Hepa is warm rolled to avoid cracking at the folds and avoid leakage
- Spacers keep the folds open and make sure that all the surface area is filtering



Large scale HEPA filtration protects you against airborne particles